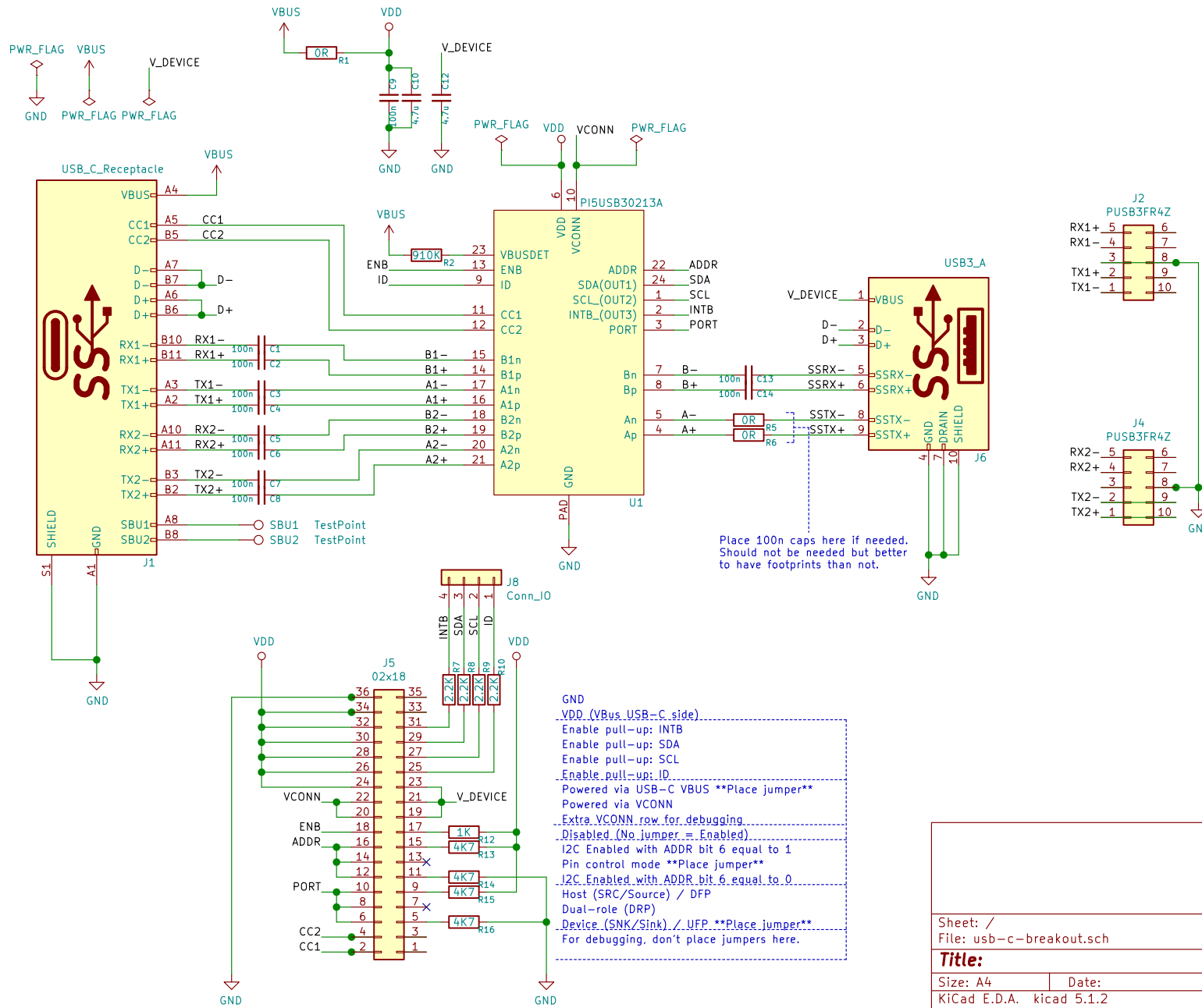


USB-C to USB-A adapter.
Intended to be used as a Device / SNK(Sink) / UFP (Upwards-facing port)



Place 100n caps here if needed.
Should not be needed but better to have footprints than not.

- ..GND
- ..VDD (VBUS_USB-C side)
- ..Enable pull-up: INTB
- ..Enable pull-up: SDA
- ..Enable pull-up: SCL
- ..Enable pull-up: ID
- ..Powered via USB-C VBUS **Place jumper**
- ..Powered via VCONN
- ..Extra VCONN row for debugging
- ..Disabled (No jumper = Enabled)
- ..I2C Enabled with ADDR bit 6 equal to 1
- ..Pin control mode **Place jumper**
- ..I2C Enabled with ADDR bit 6 equal to 0
- ..Host (SRC/Source) / DFP
- ..Dual-role (DRP)
- ..Device (SNK/Sink) / UFP **Place jumper**
- ..For debugging, don't place jumpers here.

Sheet: /		Date:	
File: usb-c-breakout.sch		Rev:	
Title:			
Size: A4	KiCad E.D.A. kicad 5.1.2	Id: 1/1	